

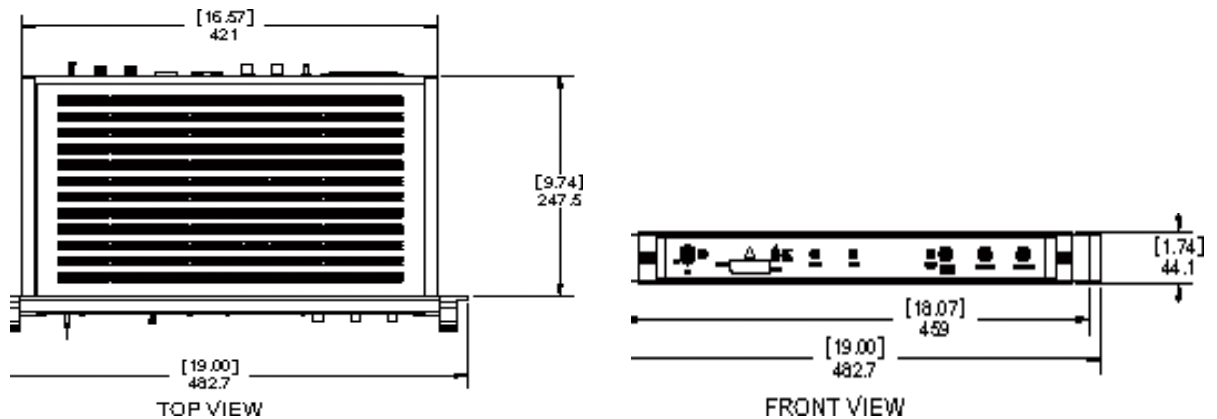
The ROCK Seeder Laser System



Features

- Very narrow linewidth (long coherence length) <5 kHz
- Center wavelength over 1030-1080nm and at 1 micron.
- > 10 mW output power
- Single longitudinal mode
- Single polarization operation
- Integrated Electronics for build-up-time (BUT) reduction
- PZT and PZT mount included
- Integrated noise reduction
- High wavelength stability
- Integrated system
- Microprocessor control
- Thermal wavelength tuning
- No additional noise

Mechanical Outline:

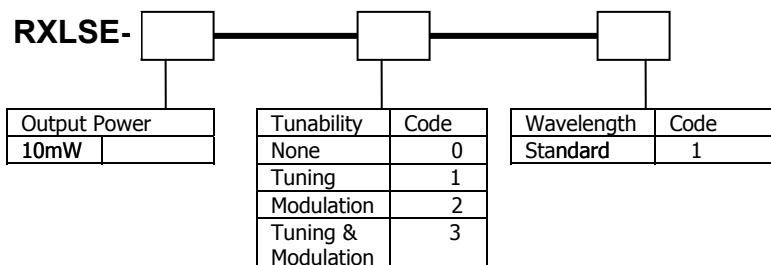


Performance | Reliability | Innovation

PRODUCT SPECIFICATIONS

Parameter	Value
Wavelength Range	1530–1565, 1030-1080 nm
Output Power	10mW *
Longitudinal Mode	Single Frequency
Spectral Line Width	< 5kHz
Polarization Extinction Ratio (PER)	> 20d
Tuning Range (Thermal)	30GHz
Connectors	Fiber Connectors and Free Space Collimator
Package Dimension	265.8 x 482.7 x 44.1mm

Ordering Example **RXLSE-10-1-1064.175** =Rock Fiber Laser Seeder , 10mW, tuning, wavelength of 1064.175nm



NP Photonics Rock Laser Modules are protected by a 12-month warranty. All components and assemblies are unconditionally warranted to be free of defects in workmanship and materials for the warranty period, beginning from the date of shipment. This warranty is in lieu of all other warranties, expressed or implied, and does not cover incidental or consequential loss. This warranty does not apply to devices damaged due to operating conditions outside of the specified parameters. Modified warranties for OEM customers are available.



NP Photonics, Inc.

9030 S. Rita Road, Suite 120 - Tucson, AZ 85747 - USA

Phone: 520-799-7400 Fax: 520-799-7403

E--mail: info@np Photonics.com www.np Photonics.com

Specifications subject to change without notice 09-08 Rev 1.