

1-Micron ASE Module

Compact ASE OEM Module



The 1-Micron ASE Module is a member of our ASE product family that covers a variety of wavelength ranges, spectral shapes, and output powers. All are available in convenient form factors including: OEM Module and Benchtop unit.

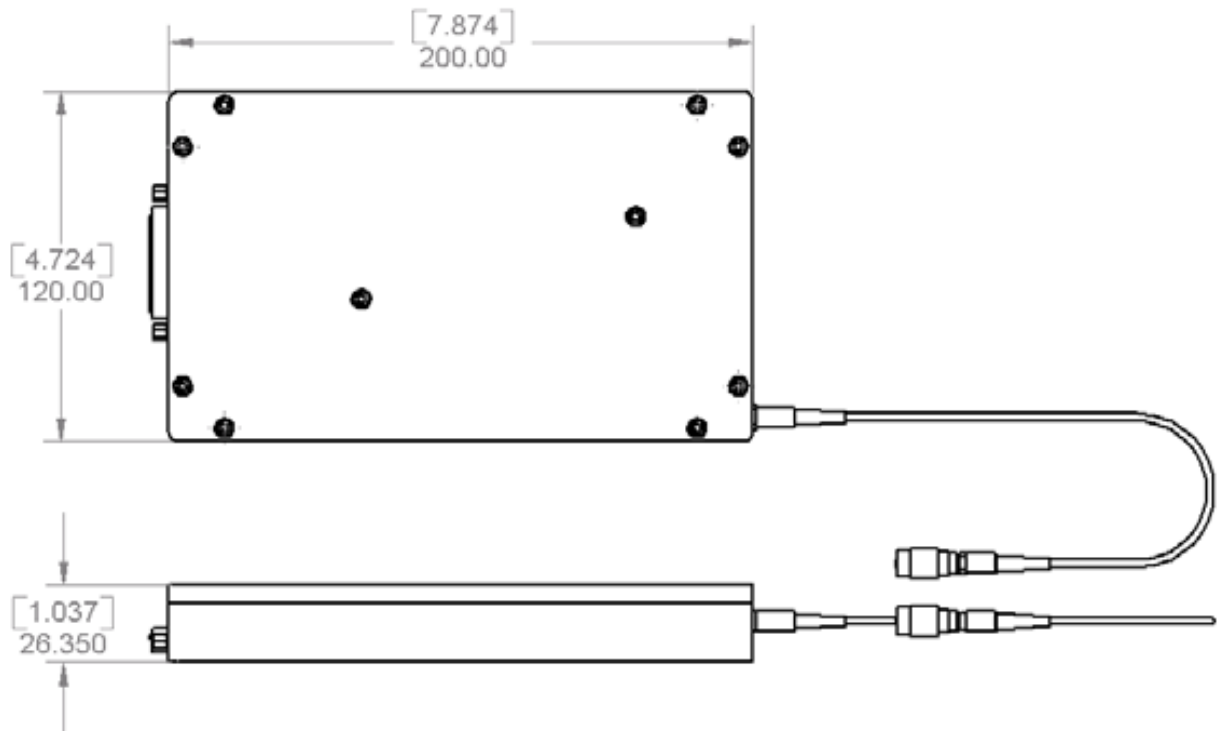
Features

- > 13 dBm (> 20 mW)
- High power
- Wide bandwidth (> 65 nm)
- Integrated pump laser
- Microprocessor control
- Monitoring electronics
- Customizable

Applications

- Bio-medical imaging (OCT)
- Sensing
- Passive components testing
- Fiber optic gyroscope
- Spectroscopy

Mechanical Outline:

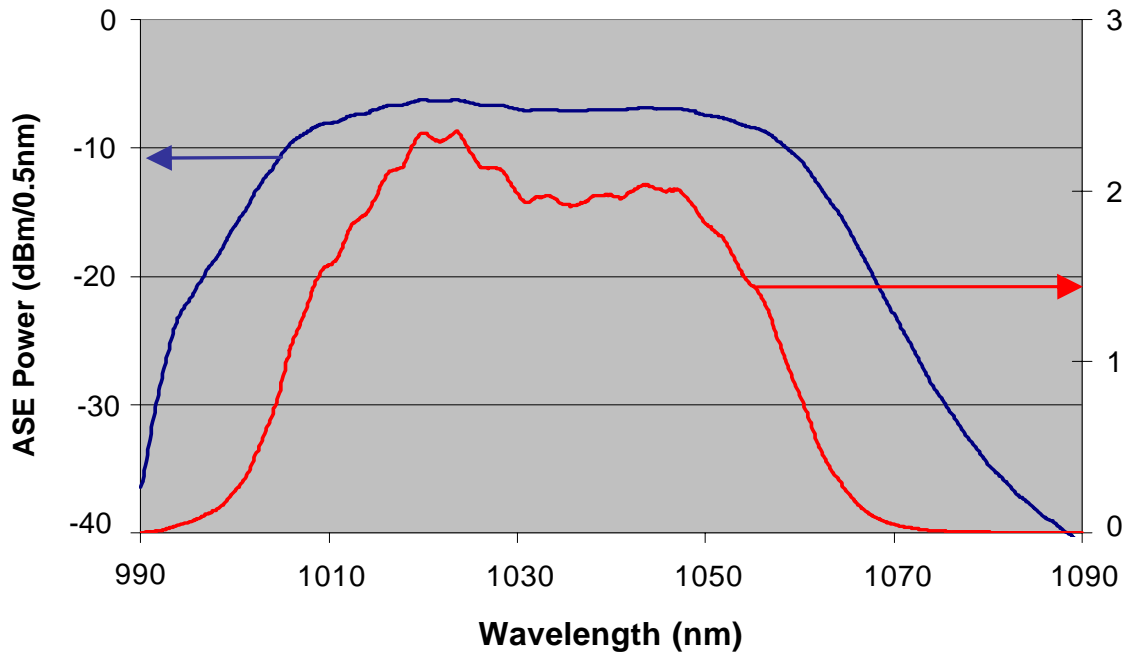


Performance | Reliability | Innovation

PRODUCT SPECIFICATIONS

Parameter	Low Power	High Power	Extended Bandwidth
Wavelength range @ 3 dB	1000 - 1050 nm	1005 – 1055 nm	1005 - 1075nm
Wavelength range @ 10 dB	995 – 1060 nm	1000 – 1065 nm	1000-1090
Output Power (dBm)	> 7 dBm	> 13 dBm	> 13 dBm
Degree of Polarization	< 5%	< 5%	< 5%
Package Dimensions	200 x 72 x 16 mm	200 x 120 x 26.35 mm	200 x 120 x 26.35 mm

Typical Spectra:



Ordering Information:

- 1-M-ASE-LP-M (Low power 1 micron ASE module)
- 1-M-ASE-HP-M (High power 1 micron ASE module)
- 1-M-ASE-HPE-M (Extended Bandwidth 1 micron ASE module)



NP Photonics 1-Micron ASE Modules are protected by a 12-month warranty. All components and assemblies are unconditionally warranted to be free of defects in workmanship and materials for the warranty period, beginning from the date of shipment. This warranty is in lieu of all other warranties, expressed or implied, and does not cover incidental or consequential loss. This warranty does not apply to devices damaged due to operating conditions outside of the specified parameters. Modified warranties for OEM customers are available.



NP Photonics, Inc.
 9030 S. Rita Road, Suite 120 - Tucson, AZ 85747 - USA
 Phone: 520-799-7400 Fax: 520-799-7403
 E-mail: info@np Photonics.com www.np Photonics.com

Specifications subject to change without notice